



STAX^{G4}

Outdoor Floodlights

Compact and flexible.

STAX G4 is a versatile and efficient LED Floodlight. With selectable colour temperature, dual power version and optional PIR motion sensor, it is suitable for a wide range of applications.

Features

- Tritone colour changeable
- IP66 and IK08 Rating
- Power switchable
- Extensive model range
- Low profile design
- Sleek diecast aluminium housing
- Integrated driver with cable and plug
- Adjustable gimbal
- Choice of sizes to choose from
- Exceptional performance
- High ambient temperature rating (<45°C)
- Optional plug in motion sensor
- Easily adjustable
- Large power options

Benefits

- Provides the choice of light hues from a single luminaire
- Durable construction and performance for outdoor areas
- Adjust the light to suit the requirements
- Covers a diverse range of applications
- Excellent for tight installations
- Improve aesthetic design whilst improving thermal characteristics
- Provides quick & easy installation
- Increased versatility to direct light where it is required
- Adaptable to suit various requirements
- High efficacy rating to promote energy saving
- Long lasting in hot environments
- Retrofittable option to assist in energy usage or security lighting
- Simple installation and adjustability
- Offering the right amount of light for the application



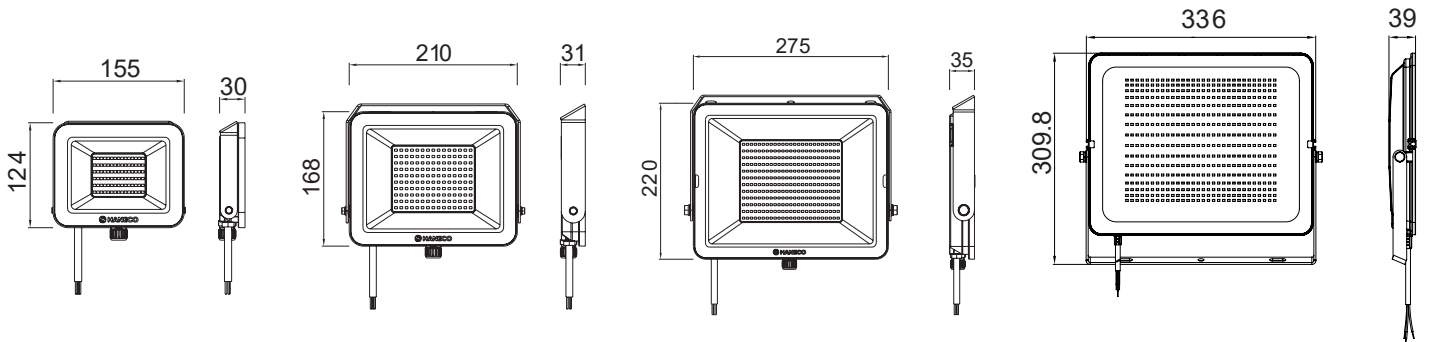
Product Overview

POWER	LUMENS	EFFICACY	CCT	WEIGHT	SAP CODE	PRODUCT CODE
15/30W	up to 3700lm	122lm/w @ 4000K	3000K/4000K/5000K	0.6kg	2002321	STAX30WG4
30/50W	up to 6300lm	120lm/w @ 4000K	3000K/4000K/5000K	1.10kg	2002322	STAX50WG4
75/100W	up to 12000lm	120lm/w @ 4000K	3000K/4000K/5000K	1.85kg	2002323	STAX100WG4
150/200W	up to 22000lm	115lm/w @ 4000K	3000K/4000K/5000K	2.9kg	2002324	STAX200WG4

SPECIFICATIONS

Body Material:	Aluminium	Driver:	Integral (DOB)	Dimming:	Non-Dimmable
Diffuser Material:	Glass (Clear)	Power Lead:	0.6m Flex (30W,50W) 1.0m Flex (100W, 200W)	APPLICATIONS	
Body colour:	BLACK (RAL 9005)	Input:	220-240Va.c. 50/60Hz		
IK Rating:	IK08	Electrical Classification:	Class I	Shed	Outdoor Lighting
IP Rating:	IP66	Power Factor:	>0.9	Carport	
Beam Angle:	120°	Protection:	Overload / Short Circuit	Side of Building	
CRI:	>80	Lifespan:	50,000hrs @Ta25° (L70)	Carpark	
SDCM:	<5 @3000K 5000K, <7@4000K	Operating Ambient Temperature:	-20 to 45°C	Temporary Installations	
		Smart:	KASTA Compatible	General Industrial	
				Area Lighting	

DIMENSIONS (mm)



ACCESSORIES

STAX90D-BRKT-S
90° Bracket - Small



STAX30WG4

STAX50WG4

STAX90D-BRKT-L
90° Bracket - Large



STAX100WG4

STAX200WG4

STAX-SENSOR
PIR Sensor



STAX30WG4

STAX50WG4

STAX100WG4

